

AKAI

professional

EW || USB

USB ELECTRONIC WIND INSTRUMENT

- ▶ QUICKSTART MANUAL
ENGLISH (1 – 4)
- ▶ GUÍA DE INICIO RÁPIDO
ESPAÑOL (5 – 8)
- ▶ GUIDE D'UTILISATION RAPIDE
FRANÇAIS (9 – 12)
 - ▶ GUIDA RAPIDA
ITALIANO (13 – 16)
 - ▶ KURZANLEITUNG
DEUTSCH (17 – 20)

www.akaipro.com

INTRODUCTION

This Quickstart Manual is intended to give you a brief overview of the EWI USB – a versatile wind controller based on earlier models in our popular EWI (Electronic Wind Instrument) Series. It lets you play with the expressiveness of an acoustic instrument or the tonal variety and flexibility of an electronic instrument. Plus, the EWI USB is set up to be used directly with a computer via USB, making it easy to use.

In this manual, you'll find instructions on how to set up the EWI USB and begin making music on it. For more information on the included software, we recommend reading the guide on the software DVD. Enjoy!

BOX CONTENTS

- EWI USB
- USB Cable (3m)
- Neckstrap
- Cleaning cloth
- Software DVD
- Quickstart Manual
- Safety & Warranty Information Booklet

SOFTWARE OVERVIEW

INSTALLING THE SOFTWARE

1. Insert the software DVD (included) into your computer's CD/DVD drive. The setup window should open automatically.
2. Double-click on **Setup** and follow the on-screen instructions to install the software.
3. Once installation of both the software and samples have successfully completed, you may open the software. (No additional driver installation is needed. The computer will install all the necessary drivers automatically.)
 - Windows (XP or Vista): You can find the software application in the **Program Files** folder or, if you chose to create shortcuts, on the **Desktop** or in the programs listed in the **Start Menu**.
 - Mac: You can find the software application in the **Applications** folder.

USING THE SOFTWARE

1. Connect the EWI USB into your computer using a standard USB cable (included). The STATUS LED will light up on the rear panel (see #8 in the FEATURES section).
2. Open the software application. You should only open the software once the EWI USB is connected to your computer, otherwise it may not recognize it.
3. Under the Tools menu, select **Preferences**. Then, under **MIDI Devices** check the appropriate box:
 - Windows (XP): Check "USB Audio Device."
 - Windows (Vista) or Mac: Check "EWI USB."

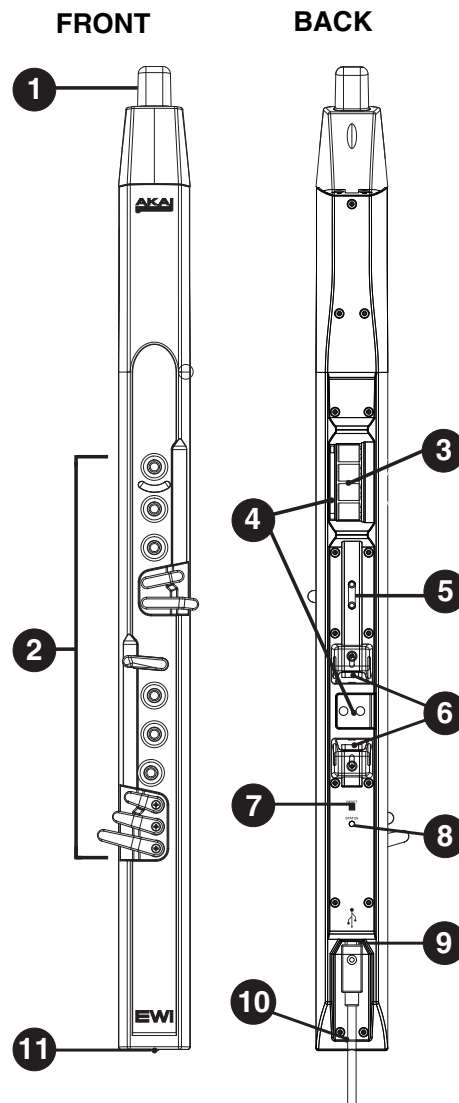
IMPORTANT! *Plugging in the EWI USB automatically recalibrates its keys, rollers, and plates. To avoid interfering with this process (and causing it to play out of tune), hold the EWI USB only by its plastic casing near the top while plugging it in.*

If you experience problems when connecting the EWI USB through a USB hub, we recommend connecting the EWI USB directly to your computer.

See the included software guide for more information.

FEATURES

1. **MOUTHPIECE** – Place your mouth around this piece and blow to play (like a traditional woodwind instrument). (See BASIC OPERATION and MAINTENANCE & CARE for more information.)
2. **NOTE KEYS** – Touch different combinations of these 13 keys while blowing on the mouthpiece to produce different notes. You can adjust the position of the longer keys by loosening their screws. (See BASIC OPERATION and FINGERING CHARTS for more information.)
3. **OCTAVE ROLLERS** – Roll these to shift the basic range played by the NOTE KEYS over three octaves. Always touch these rollers while playing (see BASIC OPERATION).
4. **GROUND PLATES** – Always touch these plates while playing. Removing your thumbs from them while playing may reduce the functionality of the EWI USB.
5. **NECKSTRAP MOUNT** – Hang the EWI USB from your neck with a neckstrap (included).
6. **PITCH BEND PLATES** – Touch these plates to raise or lower the pitch of the note you are playing. Touch the upper (BEND-UP) plate to raise the pitch or the lower (BEND-DOWN) plate to lower it. You can adjust the position of these plates by loosening their screws and sliding them up or down. *Do not over-tighten them.*
7. **RESET BUTTON** – Press this button if the EWI USB is playing out of tune or if you encounter a stuck note or problem with the sound module. This button will reset the EWI USB's pitch and tell the software to turn "all notes off" and "reset controllers." Holding it down will recalibrate the EWI USB's keys and sensors (see KEY/SENSOR RECALIBRATION section for more information). *Hold the EWI USB only by its plastic casing when you press this button.*
8. **STATUS LED** – This light illuminates when the EWI USB is connected to your computer (see SOFTWARE OVERVIEW).
9. **USB CONNECTION** – Plug a standard USB cable (included) into this jack and into the USB port of your computer (the STATUS LED will light up). This connection is used to send and receive MIDI data to and from your computer. The computer's USB port will also provide power to the EWI USB.



IMPORTANT! *Plugging in the EWI USB automatically recalibrates its keys, rollers, and plates. To avoid interfering with this process (and causing it to play out of tune), hold the EWI USB only by its plastic casing near the top while plugging it in.*

NOTES:

- *If the EWI USB is shocked by static electricity, unplug the USB cable from the EWI USB, then reconnect it.*
- *If you experience problems when connecting the EWI USB through a USB hub, we recommend connecting the EWI USB directly to your computer.*

10. **USB CABLE CLIP** – After plugging your USB cable into the USB CONNECTION, clip the cable here so it stays secure while you are playing.
11. **MOISTURE RELEASE VALVE** – Moisture gathered from blowing into the EWI USB empties out of this hole at the bottom of the instrument. Be careful of where this end of the EWI USB is while playing.

BASIC OPERATION

First, secure the neckstrap to the NECKSTRAP MOUNT on the EWI USB. Place it around your neck and hold the EWI USB the same way you would hold a saxophone or clarinet – with the instrument vertically right in front of you and with your mouth on the MOUTHPIECE.

There are two GROUND PLATES on the back of the EWI USB (one for each hand). Your thumbs should always be touching both of these plates to ensure the best possible conductivity and performance of the instrument. Your left thumb should go on top, on the OCTAVE ROLLERS in the back. Your right thumb should be closer to the bottom, between the PITCH BEND PLATES.

Here is some essential information on how to play the EWI USB:

► Mouthpiece

Hold the mouthpiece gently in between your lips with your teeth and exhale so your breath is passed through both sides of your mouth. The EWI USB detects this wind pressure with the breath sensor and expresses the change in sound volume and character, depending on how you blow. Not a lot of breath should be required to activate the instrument.

Vibrato: There is a vibrato sensor in the mouthpiece. You can produce a vibrato effect by gently biting the mouthpiece, which will bend the pitch down each time you bite. Do not bite too hard.

Tonguing: You can create small bursts of air by tonguing the mouthpiece for even more expressive control.

► Note Keys

The note keys are actually touch sensors that let you produce sound with only a light touch. The EWI USB has multiple fingering options that can be set by the software (see FINGERING CHARTS and the guide included in the software DVD for more information). You can adjust the position of the longer keys by loosening the screws that hold each of them in place.

► Octave Rollers

Place your left thumb on the back side of the EWI USB, between any two rollers (and over the GROUND PLATE). To shift the EWI USB's octave range up or down, slide your thumb up or down across the rollers. Only the two in the middle will roll. The ones on the top and bottom are fixed. Remove your thumb from the lowest roller to shift it down an additional octave. Remove your thumb from the highest roller to shift it up an additional octave.

► Pitch Bend Plates

By touching your thumb to either of these plates, you can move the pitch of the note you are playing up or down. Touch the BEND-UP PLATE to raise the pitch or the BEND-DOWN PLATE to lower it.

A NOTE ABOUT KEY RESPONSE: If the EWI USB's keys, rollers, or plates are not very responsive, it could be because you are playing with dry hands (the EWI USB works by using the body's capacitance). You may use a very small amount of non-greasy hand lotion to improve the connection between your hands and the keys.



MAINTENANCE & CARE

We've designed the EWI USB to be durable and easy to use, but regular cleaning and maintenance can ensure that it stays in good condition – and that it will give you the best possible experience while playing it.

- When not in use, keep the MOUTHPIECE dry and clean. You can clean the outer surface with disinfectant alcohol or mild soap and dry it with a soft cloth. Or, you can remove the screw at the top of the MOUTHPIECE, gently pull it off the body of the EWI USB, and wash just the mouthpiece in the dishwasher.
- The metal parts on the EWI USB are conductors, so keep them dry and clean to ensure they will work properly whenever you use them. After playing, wipe the NOTE KEYS, PITCH BEND PLATES, GROUND PLATES, and OCTAVE ROLLERS with a soft, dry cloth. (Over time, natural oils from your hand may slightly tarnish these parts. This is normal and should not be a problem.)
- Moisture gathered from blowing into the instrument empties out of the MOISTURE RELEASE VALVE at the very bottom of the EWI USB. Be careful of where this end of the EWI USB is while playing, and wipe it periodically with a soft, dry cloth.

KEY/SENSOR RECALIBRATION

If the EWI USB is not responding as expected (if you are encountering stuck notes, tuning problems, unresponsive keys, etc.), do the following:

1. Hold the EWI USB *by its plastic casing only*. Do not touch any of its metal parts.
2. Press and hold the RESET BUTTON. After five seconds, the STATUS LED will flash rapidly.
3. When the STATUS LED stops flashing, release the RESET BUTTON.

UPDATING THE FIRMWARE

1. While holding down the RESET BUTTON, connect the EWI USB to your computer with the USB cable (included). Be careful not to touch any of the metal keys, plates, and rollers as you do this. After you see the STATUS LED flash green, you can release the RESET BUTTON.
2. Download any available firmware updates from <http://www.akaipro.com>.
3. The firmware will be a standard MIDI file with a .MID extension. Play this file with your preferred MIDI file player (we recommend using Windows Media Player or Quicktime). Make sure the EWI USB is selected as your application's MIDI Out port. As it plays, sending it to the EWI USB, the STATUS LED will turn red.
4. Once the STATUS LED flashes green again, unplug the EWI USB.
5. Reconnect the EWI USB. The STATUS LED will light up red.
6. Hold the EWI USB *by its plastic casing only*. Do not touch any of its metal parts.
7. Press and hold the RESET BUTTON. After five seconds, the STATUS LED will flash rapidly.
8. When the STATUS LED stops flashing, release the RESET BUTTON.

TROUBLESHOOTING

PROBLEM	CAUSE	SOLUTION
The LED does not light up when I plug it in.	The EWI USB is not properly connected.	Make sure the EWI USB is properly connected to your computer's USB port and that the computer is powered on. If necessary, restart your computer and reconnect the EWI USB.
The software does not recognize the EWI USB.	The EWI USB was connected after software application has started.	Restart the software application with the EWI USB already plugged in.
	The EWI USB is plugged into a USB hub.	Unplug the EWI USB from the USB hub and connect directly to the computer. Then close and reopen the software.
There is no sound when I play the EWI USB.	The volume of your computer, speakers, or headphones is too low.	Increase the volume level of your computer, speakers, or headphones.
	The software application is not set to receive MIDI data from the EWI USB.	Make sure the EWI USB is listed as an active MIDI source in the software application ("USB Audio Device" for Windows XP users or "EWI USB" for Mac or Windows Vista users). Pull down the Tools menu and select Preferences to adjust the MIDI settings.
A note will not stop playing.	There is a conductivity problem with the NOTE KEYS.	Recalibrate the keys and sensors (see KEY/SENSOR RECALIBRATION section above). Be sure you are not touching any of the keys, rollers, or plates when you press it.
	There is a problem with the sound module.	Close and reopen the software (with the EWI USB still plugged in).
The keys, rollers, or plates are not responsive.	There is a conductivity problem with the keys, rollers, or plates.	Use a very small amount of non-greasy hand lotion to improve the connection between your hands and the keys.
The EWI USB is playing out of tune.	The NOTE KEYS were not properly calibrated upon startup.	Recalibrate the keys and sensors (see KEY/SENSOR RECALIBRATION section above). Be sure you are not touching any of the keys, rollers, or plates when you press it.

INTRODUCCIÓN

Este Manual de inicio rápido tiene la finalidad de darle una breve descripción general del EWI USB —un versátil controlador de instrumentos de viento basado en modelos anteriores de nuestro popular serie EWI (Instrumento de viento electrónico) Series. Le permite tocar con la expresividad de un instrumento acústico o la variedad tonal y la flexibilidad de un instrumento electrónico. Además, el EWI USB está preparado para ser usado directamente con una computadora vía USB, facilitando así su utilización.

En este manual, encontrará instrucciones para configurar el EWI USB y comenzar a hacer música con él. Para más información sobre el software incluido, recomendamos leer la guía incluida en el DVD de software. ¡Que lo disfrute!

CONTENIDO DE LA CAJA

- EWI USB
- Cable USB (3 m)
- Correa para colgar del cuello
- Paño de limpieza
- DVD de software
- Manual de inicio rápido
- Folleto de información sobre la seguridad y la garantía

DESCRIPCIÓN GENERAL DEL SOFTWARE

CÓMO INSTALAR EL SOFTWARE

1. Inserte el DVD de software (incluido) en el lector de CD/DVD de su computadora. Se debe abrir automáticamente la ventana de configuración.
2. Haga doble clic en **Setup** (Configuración) y siga las instrucciones de la pantalla para instalar el software.
3. Una vez finalizada exitosamente la instalación del software y las muestras, puede abrir el software. (No se necesita instalar ningún driver adicional. La computadora instala automáticamente todos los drivers necesarios).
 - Windows (XP o Vista): Puede encontrar la aplicación de software en la carpeta **Program Files** (Archivos de programa) o, si elige crear accesos directos, en el **Escritorio** o en los programas enumerados en el menú **Start** (Inicio).
 - Mac: Puede encontrar la aplicación de software en la carpeta **Applications** (Aplicaciones).

CÓMO USAR EL SOFTWARE

1. Conecte el EWI USB a su computadora usando un cable USB estándar (incluido). El LED STATUS (Estado) se enciende en el panel trasero (consulte el **Nº 8** en la sección CARACTERÍSTICAS).
2. Abra la aplicación de software. Debe abrir el software una vez que el EWI USB esté conectado a su computadora, de lo contrario, puede no reconocerlo.
3. En el menú Tools (Herramientas), seleccione **Preferences** (Preferencias). Luego, bajo **MIDI Devices** (Dispositivos MIDI) marque la casilla apropiada:
 - Windows (XP): Marque "USB Audio Device" (Dispositivo de audio USB)
 - Windows (Vista) o Mac: Marque "EWI USB".

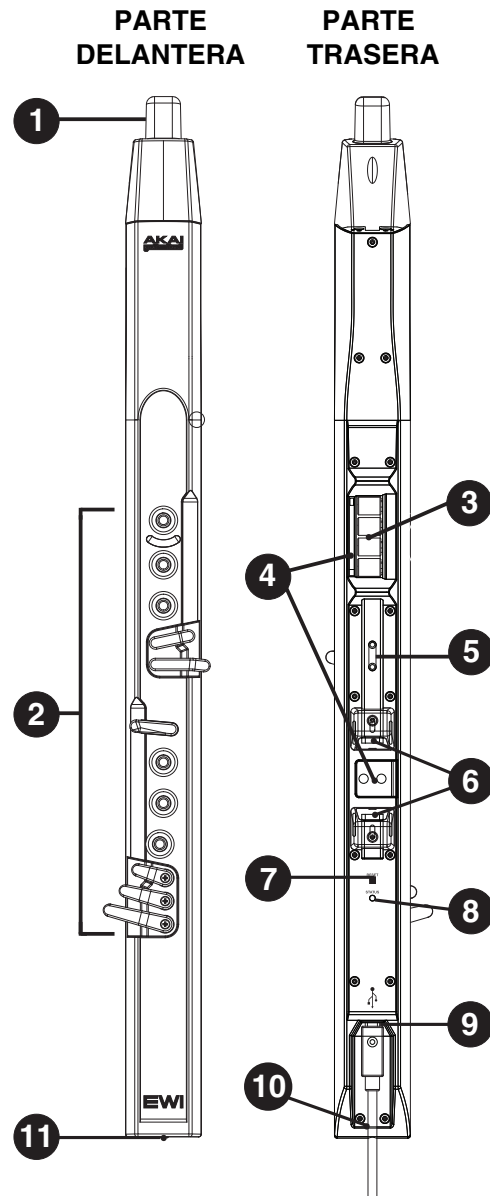
IMPORTANTE Al enchufar el EWI USB se recalibran automáticamente las teclas, rodillos y placas. Para evitar interferir con este proceso (y hacer que toque desafinado), sostenga el EWI USB sólo por su carcasa plástica cerca de la parte superior cuando lo enchufa.

Si experimenta problemas al conectar el EWI USB a través de un hub USB, recomendamos conectarlo directamente a la computadora.

Para más información, vea la guía de software incluida.

CARACTERÍSTICAS

1. **BOQUILLA** – Coloque su boca alrededor de esta pieza y sople para tocar (como si fuera un instrumento de viento tradicional). (Para más información, consulte OPERACIÓN BÁSICA y MANTENIMIENTO Y CUIDADO).
2. **TECLAS DE NOTAS** – Toque diferentes combinaciones de estas 13 teclas mientras sopla por la boquilla, para producir diferentes notas. Puede ajustar la posición de las teclas más largas aflojando sus tornillos. (Para más información, consulte OPERACIÓN BÁSICA y TABLAS DE DIGITACIÓN).
3. **RODILLOS DE OCTAVA** – Hágalos girar para desplazar la gama básica ejecutada por las TECLAS DE NOTAS sobre tres octavas. Toque siempre estos rodillos mientras ejecuta (consulte OPERACIÓN BÁSICA).
4. **PLACAS DE MASA** – Toque siempre estas placas mientras ejecuta. Si retira los pulgares de ellas mientras está ejecutando, se puede reducir la funcionalidad del EWI USB.
5. **MONTAJE PARA CORREA** – Cuelgue el EWI USB de su cuello con la correa (incluida).
6. **PLACAS DE INFLEXIÓN DE PITCH** – Toque estas placas para subir o bajar el pitch de la nota que está tocando. Toque la placa superior (BEND-UP) (Subir) para subir el pitch o la inferior (BEND-DOWN) (Bajar) para bajarlo. Puede ajustar la posición de estas placas aflojando sus tornillos y deslizándolas hacia arriba y abajo. *No las apriete en exceso.*
7. **BOTÓN DE RESET (REINICIACIÓN)** – Pulse este botón si el EWI USB está tocando desafinado o si encuentra una nota pegada o un problema con el módulo de sonido. Este botón reinicia el pitch del EWI USB y le indica al software que “desactive todas las notas” y “reinicie los controladores”. Manteniéndolo pulsado, se recalibran las teclas y los sensores del EWI USB (para más información, consulte la sección RECALIBRACIÓN DE TECLAS Y SENSORES). *Sostenga el EWI USB sólo por su carcasa plástica cuando pulse este botón.*
8. **LED DE ESTADO** – Esta luz se enciende cuando se conecta el EWI USB a su computadora (consulte DESCRIPCIÓN GENERAL DEL SOFTWARE).
9. **CONEXIÓN USB** – Enchufe un cable USB estándar (incluido) en este conector y en el puerto USB de su computadora (El LED de ESTADO se enciende). Esta conexión se usa para enviar y recibir datos MIDI hacia y desde la computadora. El puerto USB de la computadora suministra también alimentación eléctrica al EWI USB.



IMPORTANTE Al enchufar el EWI USB se recalibran automáticamente las teclas, rodillos y placas. Para evitar interferir con este proceso (y hacer que toque desafinado), sostenga el EWI USB sólo por su carcasa plástica cerca de la parte superior cuando lo enchufa.

NOTAS:

- Si el EWI USB recibe una descarga de electricidad estática, desenchufe el cable USB del mismo y vuelva a conectarlo.
- Si experimenta problemas al conectar el EWI USB a través de un hub USB, recomendamos conectarlo directamente a la computadora.

10. **PRESILLA DEL CABLE USB** – Después de enchufar su cable USB en la CONEXIÓN USB, enganche el cable aquí de modo que esté seguro mientras usted toca.
11. **VÁLVULA DE DESCARGA DE HUMEDAD** – La humedad que se acumula al soplar en el EWI USB se descarga por este orificio de la parte inferior del instrumento. Fíjese con cuidado dónde queda este extremo del EWI USB cuando está tocando.

OPERACIÓN BÁSICA

En primer lugar, sujete la correa para colgar del cuello en el MONTAJE DE LA CORREA del EWI USB. Colóquela alrededor del cuello y sostenga el EWI USB de la misma manera que sostendría un saxo o un clarinete —con el instrumento en posición vertical adelante suyo y con su boca en la BOQUILLA.

Hay dos PLACAS DE MASA en la parte trasera del EWI USB (una para cada mano). Sus pulgares deben tocar *siempre* ambas placas para asegurar la mejor conductividad y rendimiento posibles del instrumento. El pulgar izquierdo va arriba, sobre los RODILLOS DE OCTAVA de la parte trasera. El derecho va cerca de la parte inferior, entre las PLACAS DE INFLEXIÓN DE PITCH.

He aquí alguna información esencial sobre cómo tocar el EWI USB:

► Boquilla

Sostenga la boquilla delicadamente entre sus labios con sus dientes y exhale de modo que su aliento pase a través de ambos lados de su boca. El EWI USB detecta la presión de este viento con el sensor de aliento y expresa el cambio en volumen y carácter del sonido, según cómo sople. No se requiere mucho aliento para activar el instrumento.



Vibrato: Hay un sensor de vibrato en la boquilla. Puede producir un efecto de vibrato mordiendo suavemente la boquilla, que producirá una inflexión de pitch hacia abajo cada vez que muerda. No muerda demasiado fuerte.

Aleteo de la punta de la lengua: Puede crear pequeñas ráfagas de aire produciendo un aleteo o articulación de la punta de la lengua en la boquilla para lograr un control aún más expresivo

► Teclas de notas

Las teclas de notas son en realidad sensores táctiles que le permiten producir sonido con sólo un ligero toque. El EWI USB tiene varias opciones de digitación que se pueden configurar con el software (para más información, consulte TABLAS DE DIGITACIÓN y la guía incluida en el DVD de software). Puede ajustar la posición de las teclas más largas aflojando los tornillos que las mantienen en su sitio.

NOTA ACERCA DE LA RESPUESTA DE LAS TECLAS: Si las teclas, rodillos o placas del EWI USB no responden muy bien, podría deberse a que está tocando con las manos secas (el EWI USB funciona usando la capacitancia del cuerpo). Puede usar una muy pequeña cantidad de loción para manos no oleosa para mejorar la conexión entre sus manos y las teclas.

► Rodillos de octava

Coloque el pulgar izquierdo sobre la parte trasera del EWI USB, entre cualquier par de rodillos (y sobre la PLACA DE MASA). Para desplazar la gama de octavas del EWI USB hacia arriba o abajo, deslice su pulgar hacia arriba o abajo a través de los rodillos. Sólo girarán los dos del medio. Los de las partes superior e inferior son fijos. Retire su dedo pulgar de los más bajos a cambio de rodillo abajo adicionales octava. Retire su dedo pulgar de la más alta a cambio de rodillo hasta que una nueva octava.

► Placas de inflexión de pitch

Al tocar con el pulgar cualquiera de estas placas, puede subir o bajar el pitch de la nota que está tocando. Toque la placa (BEND-UP) (Subir) para subir el pitch o la inferior (BEND-DOWN) (Bajar) para bajarlo.

MANTENIMIENTO Y CUIDADO

Hemos diseñado el EWI USB para que sea durable y fácil de usar, pero la limpieza y el mantenimiento regulares pueden asegurar que se mantenga en buen estado —y que le brinde la mejor experiencia posible mientras toca.

- Cuando no está en uso, mantenga la BOQUILLA seca y limpia. Puede limpiar la superficie exterior con alcohol desinfectante o jabón suave, y secarla con un paño blando. También puede retirar el tornillo de la parte superior de la BOQUILLA, extraerla delicadamente del cuerpo del EWI USB y lavar sólo la boquilla en el lavavajilla.
- Las partes metálicas del EWI USB son conductoras, de modo que debe mantenerlas secas y limpias para asegurar que funcionen correctamente cuando las use. Después de tocar, restriegue las TECLAS DE NOTAS, las PLACAS DE INFLEXIÓN DE PITCH, las PLACAS DE MASA y los RODILLOS DE OCTAVA con un paño blando y seco. (A lo largo del tiempo, la grasitud natural de su mano puede ensuciarla. Esto es normal y no debería ser un problema).
- La humedad acumulada al soplar en el instrumento se descarga por la VÁLVULA DE DESCARGA DE HUMEDAD del extremo inferior del EWI USB. Fíjese con cuidado dónde queda este extremo del EWI USB mientras toca, y límpielo periódicamente con un paño blando y seco.

RECALIBRACIÓN DE TECLAS Y SENSORES

Si el EWI USB no responde como se espera (encuentra notas pegada, problemas de afinación, teclas que no responden, etc.), haga lo siguiente:

1. Sostenga el EWI USB *por su carcasa plástica únicamente*. No toque ninguna de sus partes metálicas.
2. Pulse y retenga el BOTÓN DE REINICIACIÓN. Después de cinco segundos, el LED de ESTADO destellará rápidamente.
3. Cuando deje de destellar, suelte el BOTÓN DE REINICIACIÓN.

CÓMO ACTUALIZAR EL FIRMWARE

1. Mientras mantiene pulsado el BOTÓN DE REINICIACIÓN, conecte el EWI USB a la computadora con el cable USB (incluido). Tenga cuidado de no tocar ninguna de las teclas, placas y rodillos metálicos mientras lo hace. Después que vea que el LED de ESTADO destella con luz verde, puede soltar el BOTÓN DE REINICIACIÓN.
2. Descargue las actualizaciones de firmware disponibles de <http://www.akaipro.com>.
3. El firmware es un archivo MIDI estándar con extensión .MID. Reproduzca este archivo con su reproductor MIDI preferido (recomendamos usar Windows Media Player o Quicktime). Asegúrese de que esté seleccionado el EWI USB como puerto de salida MIDI de su aplicación. Cuando se reproduce, al enviarlo al EWI USB, el LED de ESTADO se pone rojo.
4. Una vez que el LED de ESTADO destelle nuevamente con luz verde, desenchufe el EWI USB.
5. Vuelva a conectar el EWI USB. Se enciende el LED de ESTADO con luz roja.
6. Sostenga el EWI USB *por su carcasa plástica únicamente*. No toque ninguna de sus partes metálicas.
7. Pulse y retenga el BOTÓN DE REINICIACIÓN. Después de cinco segundos, el LED de ESTADO destellará rápidamente.
8. Cuando deje de destellar, suelte el BOTÓN DE REINICIACIÓN.

SOLUCIÓN DE PROBLEMAS

PROBLEMA	CAUSA	SOLUCIÓN
El LED no se enciende cuando lo enchufo.	El EWI USB no está conectado correctamente.	Asegúrese de que el EWI USB esté correctamente conectado a la computadora por el puerto USB y que la computadora esté encendida. Si fuera necesario, reinicie su computadora y vuelva a conectar el EWI USB.
El software no reconoce al EWI USB.	El EWI USB se conectó después de que se inició la aplicación de software.	Reinicie la aplicación de software con el EWI USB ya enchufado.
	El EWI USB está enchufado a un hub USB.	Desenchufe el EWI USB del hub USB y conéctelo directamente a la computadora. Luego cierre y vuelva a abrir el software.
No hay sonido cuando toco el EWI SUB.	El volumen de su computadora, altavoces o auriculares está demasiado bajo.	Aumente el nivel de volumen de su computadora, altavoces o auriculares.
	La aplicación de software no está configurada para recibir datos MIDI desde el EWI USB.	Asegúrese de que el EWI USB figure en la lista como fuente MIDI activa en la aplicación de software ("USB Audio Device" para usuarios de Windows XP o "EWI USB" para usuarios de Mac o Windows Vista). Despliegue el menú Tools (Herramientas) y seleccione Preferences (Preferencias) para ajustar los valores de los parámetros MIDI.
No se detiene la reproducción de una nota.	Hay un problema de conductividad en las TECLAS DE NOTAS.	Recalibre las teclas y sensores (consulte la sección RECALIBRACIÓN DE TECLAS Y SENSORES más arriba). Asegúrese de no tocar ninguna de las teclas, rodillos o placas cuando pulse el botón.
	Hay un problema con el módulo de sonido.	Cierre y vuelva a abrir el software (con el EWI USB aún enchufado).
Las teclas, rodillos o placas no responden.	Hay un problema de conductividad en las teclas, rodillos o placas	Use una muy pequeña cantidad de loción para manos no oleosa para mejorar la conexión entre sus manos y las teclas.
El EWI USB toca desafinado.	Las TECLAS DE NOTAS no se calibraron correctamente en el inicio.	Recalibre las teclas y sensores (consulte la sección RECALIBRACIÓN DE TECLAS Y SENSORES más arriba). Asegúrese de no tocar ninguna de las teclas, rodillos o placas cuando pulse el botón.

INTRODUCTION

Le guide d'utilisation simplifié se veut un survol du EWI USB, un contrôleur à vent électronique basé sur nos modèles précédents de la série EWI (Electronique Wind Instrument). Il vous permet de jouer avec l'expressivité d'un instrument acoustique ou avec la plage tonale et la flexibilité d'un instrument électronique. De plus, le EWI USB peut être branché à un ordinateur via USB, facilitant son utilisation.

Dans ce guide, vous trouverez les consignes d'installations et d'utilisation du EWI USB. Pour de plus amples informations sur le logiciel inclus, nous vous recommandons de lire le guide du logiciel sur le DVD. Amusez-vous bien!

CONTENU DE LA BOÎTE

- EWI USB
- Câble USB (3 m)
- Courroie
- Chiffon pour le nettoyage
- DVD logiciel
- Guide d'utilisation simplifié
- Livret des consignes de sécurité et des informations concernant la garantie

SURVOL DU LOGICIEL

INSTALLATION DU LOGICIEL

1. Insérez le DVD d'installation inclus dans le lecteur CD/DVD de votre ordinateur. La fenêtre d'installation s'ouvre automatiquement.
2. Double-cliquez sur **Setup** et suivez les instructions à l'écran pour installer le logiciel.
3. Une fois l'installation du logiciel et des échantillons complétée, vous pouvez lancer le logiciel. (Aucune autre installation de pilote n'est requise. L'ordinateur installe tous les pilotes nécessaires automatiquement.)
 - **Windows (XP ou Vista)** : Vous trouverez l'application dans le **Dossier des fichiers programmes** ou, si vous désirez créer des raccourcis, sur le **Bureau** ou dans le **Menu Démarrer**.
 - **Mac** : Vous trouverez l'application dans le dossier **Applications**.

UTILISATION DU LOGICIEL

1. Branchez le EWI USB à un ordinateur à l'aide du câble USB standard (inclus). Le témoin d'état (STATUS) sur le panneau arrière s'allume (voir n° 8 dans la section CARACTÉRISTIQUES).
2. Lancez le logiciel. Vous devez lancer le logiciel uniquement après avoir branché le EWI USB à votre ordinateur, autrement il pourrait ne pas le reconnaître. Sous le menu Outils, sélectionnez **Préférences**.
3. Ensuite, sous **Périphériques MIDI**, cochez la boîte qui convient :
 - **Windows (XP)** : Cochez « Périphérique audio USB ».
 - **Windows (Vista) ou Mac** : Cochez « EWI USB ».

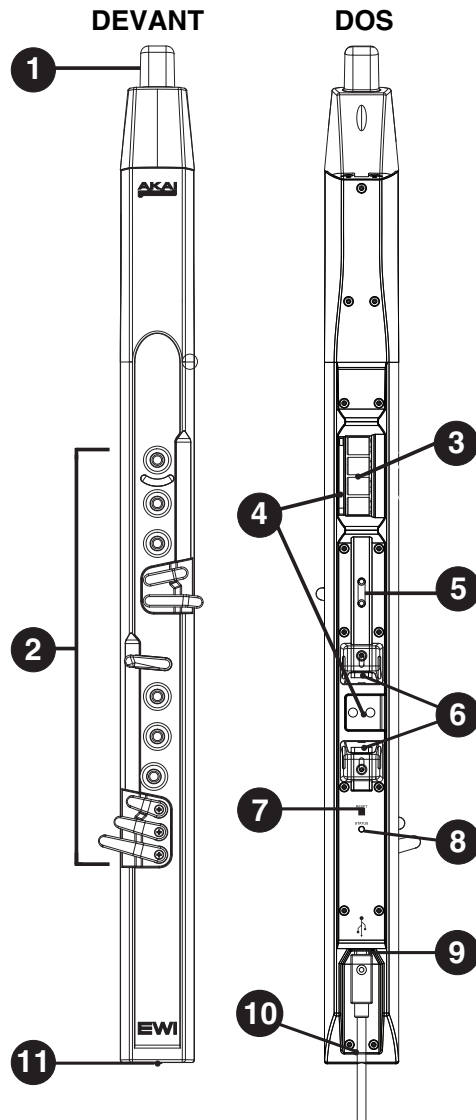
Pour de plus amples informations, consultez le guide du logiciel.

IMPORTANT! Brancher le EWI USB permet de réétalonner automatiquement les notes, galets et les plaques. Afin d'éviter d'entraver ce processus et de le désaccorder, tenez le EWI USB uniquement dans la partie supérieure du boîtier en plastique lorsque vous le branchez.

Si vous éprouvez des difficultés avec la connexion via un répéteur USB, nous vous recommandons de brancher le EWI USB directement à l'ordinateur.

CARACTÉRISTIQUES

1. **EMBOUCHURE** – Placez votre bouche autour de cette pièce et soufflez comme pour jouer d'un instrument à vent traditionnel. (Voir les sections FONCTIONNEMENT DE BASE et ENTRETIEN pour de plus amples renseignements.)
2. **TOUCHES DES NOTES** – Touchez différentes combinaisons de ces 13 touches tout en soufflant dans l'embouchure afin de produire différentes notes. Vous pouvez régler la position des touches plus longues en desserrant les vis. (Voir les sections FONCTIONNEMENT DE BASE et TABLATURE pour de plus amples renseignements.)
3. **GALETS DE TRANSPOSITION D'OCTAVE** – Ces touches permettent de transposer la plage des touches de plus de trois octaves. Touchez toujours ces touches lorsque vous jouez (voir FONCTIONNEMENT DE BASE).
4. **PRISE DE TERRE** – Touchez toujours ces plaques lorsque vous jouez. Retirer les pouces de ces plaques lorsque vous jouer peut réduire la fonctionnalité du EWI USB.
5. **COURROIE** – Placez la courroie du EWI USB autour de votre cou (incluse).
6. **PLAQUES DE VARIATION TONALE** – Touchez ces plaques afin d'augmenter ou de diminuer la variation tonale de la note jouée. Touchez la plaque supérieure (BEND-UP) pour augmenter la hauteur tonale ou la plaque inférieure (BEND-DOWN) pour la diminuer. Vous pouvez régler la position de ces plaques plus en desserrant les vis et en les glissant vers le haut ou le bas. *Ne pas serrer les vis à fond.*
7. **TOUCHE DE RÉINITIALISATION** – Appuyez sur cette touche si le EWI USB se désaccorde, si une des notes reste coincée ou encore s'il y a un problème avec le module de son. Cette touche permet de réinitialiser la hauteur tonale du EWI USB et d'avertir le logiciel d'émettre le message d'extinction de toutes les notes et de réinitialiser les contrôleurs. Le maintenir enfoncé permet de réétalonner les touches et les capteurs (voir la section RÉÉTALONNAGE DES TOUCHES/CAPTEURS). *Assurez-vous de tenir le EWI USB uniquement par le boîtier en plastique lorsque vous appuyez sur cette touche.*
8. **DEL D'ÉTAT** – Ce témoin s'allume lorsque le EWI USB est branché à un ordinateur (voir SURVOL DU LOGICIEL).
9. **CONNEXION USB** – Branchez un câble USB standard (inclus) dans cette entrée et dans le port USB d'un ordinateur (la DEL d'état s'allumera). Cette connexion permet d'envoyer et de recevoir des données MIDI depuis et à un ordinateur. Le port USB de l'ordinateur permet également d'alimenter le EWI USB.



IMPORTANT! Brancher le EWI USB permet de réétalonner automatiquement les notes, galets et les plaques. Afin d'éviter d'entraver ce processus et de le désaccorder, tenez le EWI USB uniquement dans la partie supérieure du boîtier en plastique lorsque vous le branchez.

REMARQUES :

- Si le EWI USB reçoit un choc d'électricité statique, débranchez le câble USB du EWI USB, puis rebranchez-le.
- Si vous éprouvez des difficultés avec la connexion via un répéteur USB, nous vous recommandons de brancher le EWI USB directement à l'ordinateur.

10. **CLIP POUR CÂBLE USB** – Après avoir branché le câble USB dans l'entrée USB, utilisez ce clip pour fixer le câble afin de ne pas le débrancher accidentellement.
11. **ORIFICE D'ÉVACUATION** – Cet orifice dans le bas de l'instrument permet d'évacuer l'humidité produite par le souffle du musicien. Portez une attention particulière à cette extrémité du EWI USB lorsque vous jouez.

FONCTIONNEMENT DE BASE

Vous devez d'abord placer la COURROIE sur le EWI USB. Placez-la ensuite autour de votre cou et tenez le EWI USB de la même façon dont vous tiendriez un saxophone ou une clarinette, l'instrument à la verticale devant vous et avec votre bouche sur l'EMBOUCHURE.

Il y a deux PRISES DE TERRE au dos du EWI USB (une pour chaque main). Vos pouces doivent toujours toucher ces deux plaques afin d'obtenir la meilleure connectivité et la meilleure performance possible. Votre pouce gauche doit être sur le dessus, sur les TOUCHES DE TRANSPOSITION D'OCTAVES au dos. Votre pouce droit doit être plus bas, entre les PLAQUES DE VARIATION TONALE.

Voici des informations essentielles afin de pouvoir jouer le EWI USB :

► Embouchure

Tenez délicatement l'embouchure entre vos lèvres avec vos dents et soufflez pour que le souffle passe par les deux extrémités de votre bouche. Le EWI USB détecte la pression de souffle par son capteur et exprime le changement en termes de volume et de caractère de son. Il n'est pas nécessaire de souffler très fort afin d'activer l'instrument



Vibrato : L'embouchure possède un capteur de vibrato. Vous pouvez produire un effet de vibrato en mordant délicatement l'embouchure, ce qui a pour effet de diminuer la hauteur chaque fois que vous mordez. Ne mordez pas trop fort.

Effet de langue : Vous pouvez créer de petites salves d'air par effet de langue dur l'embouchure pour contrôle encore plus expressif.

► Touches des notes

Les touches des notes vous permettent de produire des sons avec un toucher léger. Le EWI USB a plusieurs options de doigté qui peuvent être réglées dans le logiciel (voir TABLATURE et le guide sur le DVD pour plus d'information). Vous pouvez régler la position des touches plus longues en desserrant les vis qui les retiennent.

REMARQUE SUR LA RÉACTIVITÉ DES TOUCHES : Si les touches des notes, les galets ou les plaques ne répondent pas correctement, il se peut que vos mains soient trop sèches (le EWI USB fonctionne avec la capacitance du corps). Utilisez une petite quantité de lotion pour les mains non grasse afin d'améliorer la connexion entre vos mains et les touches.

► Galets de transposition d'octave

Placez votre pouce gauche à l'arrière du EWI USB, entre deux galets quelconques (et sur la PRISE DE TERRE). Pour augmenter ou diminuer la plage d'octave, faites glisser votre pouce vers le haut ou vers le bas sur les galets. Uniquement les deux du milieu rouleront. Ceux du haut et du bas sont fixes. Retirez votre pouce le plus bas de galet de déplacer vers le bas une octave supplémentaire. Retirez votre pouce du plus haut de galet de déplacer vers le haut une octave supplémentaire.

► Plaques de variation tonale

En touchant avec votre pouce à une des deux plaques, vous pouvez augmenter ou diminuer la variation tonale de la note jouée. Touchez la plaque supérieure (BEND-UP) pour augmenter la hauteur tonale ou la plaque inférieure (BEND-DOWN) pour la diminuer.

ENTRETIEN ET NETTOYAGE

Nous avons conçu le EWI USB afin qu'il soit durable et facile d'entretien, mais un entretien et un nettoyage régulier assurent qu'il demeure en bonne condition et qu'il vous procure la meilleure expérience possible.

- Lorsque vous ne l'utilisez pas, assurez-vous que l'EMBOUCHURE soit sèche et propre. Vous pouvez nettoyer la surface avec de l'alcool ou un savon doux et le sécher avec un chiffon doux. Vous pouvez également retirer la vis dans le haut de l'EMBOUCHURE, enlever doucement l'embouchure et la laver dans le lave-vaisselle (uniquement l'embouchure).
- Les parties en métal du EWI USB sont des conducteurs, il faut les garder propres et sèches afin qu'elles fonctionnent correctement. Après avoir l'utilisé, essuyez les TOUCHES DES NOTES, PLAQUES DE VARIATION TONALE, PRISES DE TERRE et les GALETS DE TRANSPOSITION D'OCTAVES avec un chiffon sec et doux. (Après un certain temps, il se peut que le gras de vos mains fasse ternir ces parties. Ceci est tout à fait normal et ne devrait pas poser de problèmes.)
- L'humidité produite par le souffle du musicien s'évacue par l'ORIFICE D'ÉVACUATION dans le bas du EWI USB. Portez une attention particulière à cette extrémité du EWI USB lorsque vous jouez et essuyez-la régulièrement avec un chiffon doux sec.

RÉÉTALONNAGE DES NOTES/CAPTEURS

Si le EWI USB ne répond plus tel que prévu (s'il y a des notes de coincées, problèmes d'accord, des touches qui ne répondent plus, etc.) :

1. Tenez le EWI USB *uniquement par le boîtier en plastique*. Ne touchez pas aux parties en métal.
2. Enfoncez et maintenez la touche de réinitialisation. Après cinq secondes, la DEL d'état clignote rapidement.
3. Lorsque la DEL d'état arrête de clignoter, relâchez la touche de réinitialisation.

MISE À JOUR DE MICROLOGICIEL

1. En maintenant la touche de réinitialisation enfoncée, branchez le EWI USB à un ordinateur à l'aide du câble USB standard (inclus), tout en faisant attention pour ne pas toucher les touches, plaques et galets de métal. Lorsque la DEL d'état clignote et devient verte, relâchez la touche de réinitialisation.
2. Téléchargez les mises à jour du micrologiciel disponible sur <http://www.akaipro.com>.
3. Le micrologiciel est un fichier MIDI standard avec l'extension .MID. Ouvrez ce fichier à partir de votre lecteur de fichier MIDI de votre choix (nous vous recommandons d'utiliser Windows Media Player ou Quicktime). Assurez-vous que le EWI USB est sélectionné comme l'appareil assigné au port MIDI OUT. Tout en jouant, il envoie les données au EWI USB et la DEL d'état devient rouge.
4. Une fois la DEL d'état redevient verte et clignote, débranchez le EWI USB.
5. Rebranchez le EWI USB. La DEL d'état devient rouge.
6. Tenez le EWI USB *uniquement par le boîtier en plastique*. Ne touchez pas aux parties en métal.
7. Enfoncez et maintenez la touche de réinitialisation. Après cinq secondes, la DEL d'état clignote rapidement.
8. Lorsque la DEL d'état arrête de clignoter, relâchez la touche de réinitialisation.

GUIDE DE DÉPANNAGE

PROBLÈME	CAUSE	SOLUTION
La DEL ne s'allume pas lorsque je le branche.	Le EWI USB est mal branché.	Assurez-vous que le EWI USB est correctement branché au port USB de votre ordinateur et que l'ordinateur est sous tension. Il peut s'avérer nécessaire de relancer votre ordinateur et de rebrancher le EWI USB.
Le logiciel ne reconnaît pas le EWI USB.	Le EWI USB fut branché après que le logiciel soit lancé.	Relancez le logiciel seulement après avoir branché le EWI USB.
	Le EWI USB est branché à un répéteur USB.	Essayez de débrancher le EWI USB du répéteur USB et de le brancher directement à l'ordinateur. Ensuite, quittez le logiciel, puis relancez-le.
Il n'y a pas de son lorsque je joue.	Le volume de l'ordinateur, des haut-parleurs ou du casque d'écoute est trop faible.	Augmentez le volume de l'ordinateur, des haut-parleurs ou du casque d'écoute.
	L'application logicielle n'est pas configurée pour recevoir des données MIDI provenant du EWI USB.	Assurez-vous que le EWI USB est dans la liste des sources MIDI actives dans le logiciel (« Périphérique audio USB » pour Windows XP ou « EWI USB » pour Mac ou Windows Vista). Sous l'onglet Outils , sélectionnez Préférences afin de régler les paramètres MIDI.
Une note est coincée.	Il y a un problème de connectivité avec les TOUCHES DES NOTES.	Réétalonnez les touches et les capteurs (voir la section RÉÉTALONNAGE DES NOTES/CAPTEURS). Assurez-vous que vous ne touchez à aucune des notes, galets ou plaques lorsque vous appuyez dessus.
	Il y a un problème avec le module de son.	Quittez et relancez le logiciel (sans débrancher le EWI USB).
Les notes, galets ou plaques ne répondent pas.	Il y a un problème de connectivité avec les notes, galets ou plaques.	Utilisez une petite quantité de lotion pour les mains non grasse afin d'améliorer la connexion entre vos mains et les touches.
Le EWI USB est désaccordé.	Les TOUCHES DES NOTES n'ont pas été étalonnées correctement.	Réétalonnez les touches et les capteurs (voir la section RÉÉTALONNAGE DES NOTES/CAPTEURS). Assurez-vous que vous ne touchez à aucune des notes, galets ou plaques lorsque vous appuyez dessus.

INTRODUZIONE

Questo Manuale rapido è stato concepito per offrirvi una breve panoramica dell'EWI USB, un controller per strumenti a fiato versatile, basato su modelli precedenti della nostra popolare serie EWI (strumenti a fiato elettronici). Vi consente di suonare con l'espressività di uno strumento acustico o la varietà tonica e la flessibilità di uno strumento elettronico. Inoltre, l'EWI USB è impostato per essere utilizzato direttamente con un computer tramite USB, cosa che lo rende facile da usare.

Nel presente manuale troverete istruzioni su come configurare l'EWI USB e iniziare a fare musica con esso. Per maggiori informazioni sul software in dotazione, raccomandiamo di leggere la guida presente sul DVD del software. Buon divertimento!

CONTENUTI DELLA CONFEZIONE

- EWI USB
- Cavo USB (3m)
- Fascetta da collo
- Panno per la pulizia
- DVD recante il software
- Guida rapida
- Libretto di istruzioni di sicurezza e garanzia

PANORAMICA DEL SOFTWARE

INSTALLAZIONE DEL SOFTWARE

1. Inserire il DVD recante il software (in dotazione) nel lettore CD/DVD del computer. La finestra di setup si dovrebbe aprire automaticamente.
2. Fare doppio clic su **Setup** e seguire le istruzioni su schermo per installare il software.
3. Una volta completata con successo l'installazione di software e campioni, è possibile lanciare il software stesso. (Non è richiesta alcuna ulteriore installazione di driver. Il computer installerà tutti i driver necessari automaticamente.)
 - Windows (XP o Vista): l'applicazione software si trova nella cartella **Program Files** o, se si sceglie di creare una scorciatoia, sul **Desktop** o tra i programmi elencati nel menu **Start**.
 - Mac: l'applicazione software si trova nella cartella **Applicazioni**.

UTILIZZO DEL SOFTWARE

1. Collegare l'EWI USB al computer servendosi di un cavo USB standard (in dotazione). Il LED STATUS si accenderà sul pannello posteriore (vedi n. 8 nel paragrafo CARATTERISTICHE).
2. Lanciare l'applicazione software. Il software va lanciato unicamente quando l'EWI USB è collegato al computer, in caso contrario potrebbe non riconoscerlo.
3. Nel menu Strumenti, scegliere **Opzioni**. Quindi, sotto **Dispositivi MIDI**, spuntare la casella corretta:
 - Windows (XP): spuntare "USB Audio Device" (periferica audio USB).
 - Windows (Vista) o Mac: spuntare "EWI USB".

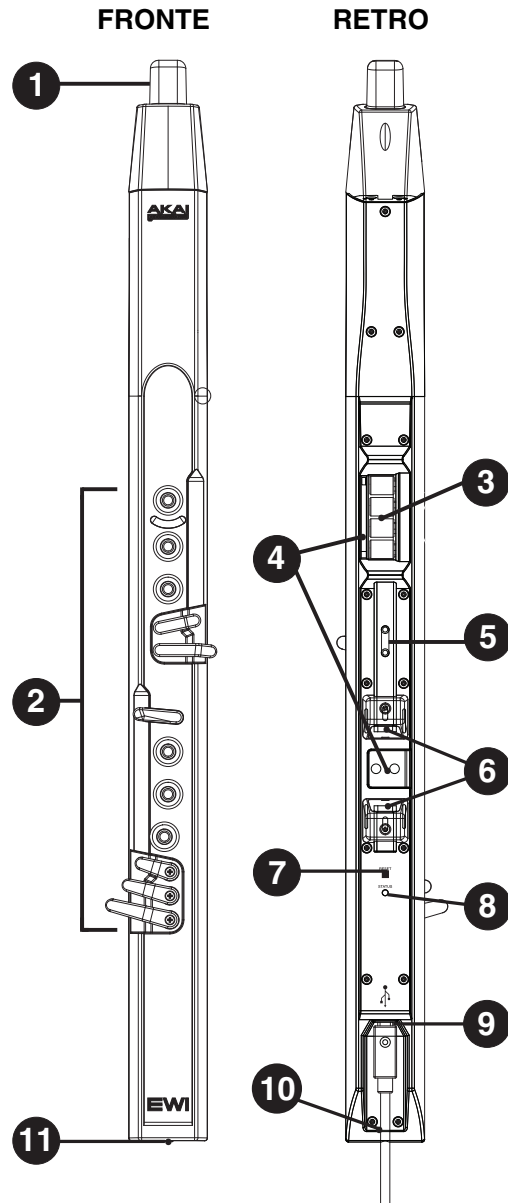
Si veda la guida al software per maggiori informazioni.

IMPORTANTE! Collegando il EWI USB, questo ricalibra automaticamente tasti, roller e piastre. Per evitare di interferire con questo processo (e di farlo suonare fuori tonalità), reggere l'EWI USB unicamente per la parte superiore del suo alloggiamento in plastica al momento di collegarlo.

In caso di problemi al momento di collegare l'EWI USB tramite un hub USB, si raccomanda di collegare l'EWI USB direttamente al computer.

CARATTERISTICHE

- BOCCHINO** – Appoggiare le labbra a questo pezzo e soffiare per suonare (come un normale strumento a fiato). (Si veda **FUNZIONAMENTO BASE** e **MANUTENZIONE E CURA** per maggiori informazioni.)
- TASTI NOTA** – Toccare diverse combinazioni di questi 13 tasti mentre si soffia nel bocchino per produrre le varie note. Si può regolare la posizione dei tasti più lunghi allentandone le viti. (Si veda **FUNZIONAMENTO BASE** e **SCHEMI DI DITEGGIATURA** per maggiori informazioni.)
- OCTAVE ROLLER** – Girarli per modificare la gamma base suonata dai **TASTI NOTA** di tre ottave. Toccare sempre i roller mentre si suona (si veda **FUNZIONAMENTO BASE**).
- PIASTRE DI TERRA** – Toccare sempre queste piastre mentre si suona. Togliere i pollici dalle piastre mentre si suona può ridurre la funzionalità dell'EWI USB.
- FESSURA PER FASCETTA DA COLLO** – Appendere l'EWI USB al collo servendosi di una fascetta (in dotazione).
- PIASTRE PITCH** – Toccare queste piastre per alzare o abbassare il pitch della nota che si sta suonando. Toccare la piastra superiore (**BEND-UP**) per alzare il pitch o quella inferiore (**BEND-DOWN**) per abbassarlo. Si può regolare la posizione di queste piastre allentandone le viti e facendole scorrere verso l'alto o verso il basso. *Non serrarle eccessivamente.*
- TASTO RESET** – Premere questo tasto se l'EWI USB sta suonando fuori tonalità o in caso di note bloccate o altri problemi con il modulo sonoro. Questo tasto azzererà il pitch dell'EWI USB e dirà al software di "spegnere tutte le note" e di "azzerare i controller". Tenendolo premuto verranno ricalibrati i tasti e i sensori dell'EWI USB (per maggiori informazioni, si veda **RICALIBRAZIONE TASTI / SENSORE**). *Reggere l'EWI USB solo per il suo alloggiamento in plastica quando si preme questo tasto.*
- LED di STATO** – Questo si accende quando l'EWI USB è collegato al computer (si veda **PANORAMICA DEL SOFTWARE**).
- PORTA USB** – Inserire un cavo standard USB (in dotazione) a livello di questa presa e nella porta USB del computer (il LED di STATO si accenderà). Questo collegamento serve a inviare e ricevere dati MIDI da e verso il computer. La porta USB del computer fornirà inoltre alimentazione all'EWI USB.



IMPORTANTE! Collegando il EWI USB, questo ricalibra automaticamente tasti, roller e piastre. Per evitare di interferire con questo processo (e di farlo suonare fuori tonalità), reggere l'EWI USB unicamente per la parte superiore del suo alloggiamento in plastica al momento di collegarlo.

NOTE:

- Se l'EWI USB subisce una scossa di elettricità elettrostatica, scollegare il cavo USB dall'EWI USB, quindi ricollegarlo.
- In caso di problemi al momento di collegare l'EWI USB tramite un hub USB, si raccomanda di collegare l'EWI USB direttamente al computer.

- CLIP CAVO USB** – Dopo aver collegato il cavo USB nella PORTA USB, fissarlo a questo livello in modo che rimanga ben saldo mentre si suona.
- VALVOLA DI SFOGO DELL'UMIDITÀ** – L'umidità raccolta nell'EWI USB durante il soffio viene drenata da questo foro posto a livello della parte inferiore dello strumento. Prestare attenzione a dove si trova questo capo dell'EWI USB mentre si suona.

FUNZIONAMENTO BASE

Innanzitutto, fissare la fascetta da collo all'apposita FESSURA sull'EWI USB. Porla intorno al collo e reggere l'EWI USB allo stesso modo in cui si reggerebbe un sassofono o un clarinetto: con lo strumento verticale di fronte a voi e le labbra sul BOCCHINO.

Sul retro dell'EWI USB vi sono due PIASTRE DI TERRA (una per ciascuna mano). I pollici devono sempre essere in contatto con entrambe la piastre per garantire la migliore conduttività possibile e le migliori prestazioni dello strumento. Il pollice sinistro deve stare sopra, sugli OCTAVE ROLLER sul retro. Il pollice destro si deve trovare più vicino al fondo, tra le PIASTRE PITCH BEND.

Ecco alcune informazioni essenziali su come suonare l'EWI USB:

► Bocchino

Reggere delicatamente il bocchino tra le labbra con i denti ed espirare in modo che l'aria passi attraverso entrambi i lati della bocca. L'EWI USB percepisce questa pressione dell'aria tramite il sensore del respiro ed esprime il cambiamento sotto forma di volume sonoro e colore, a seconda di come si soffia. Per attivare lo strumento non dovrebbe essere necessaria una quantità eccessiva di soffio.

Vibrato: il bocchino contiene un sensore del vibrato. Si può produrre un effetto vibrato mordendo delicatamente il bocchino: ad ogni morso, il pitch verrà abbassato. Non mordere troppo.

Uso della lingua: si possono creare piccoli soffi d'aria utilizzando la lingua per un controllo espressivo ancora maggiore.



► Tasti nota

I tasti nota sono sensori di tocco che permettono di produrre suoni con un leggero tocco. L'EWI USB presenta numerose opzioni di diteggiatura che possono essere impostate dal software (per maggiori informazioni, si vedano gli SCHEMI DI DITEGGIATURA e la guida inclusa nel DVD recante il software). Si può regolare la posizione dei tasti più lunghi allentando le viti che li fissano in posizione.

► Octave Roller

Posizionare il pollice sinistro a livello della parte posteriore dell'EWI USB, tra due roller (e sulla PIASTRA DI TERRA). Per abbassare o alzare la gamma di ottave dell'EWI USB, far scorrere il pollice verso il basso o verso l'alto lungo i roller. Solo i due al centro ruotano. Quelli superiore e inferiore sono fissi. Rimuovere il pollice il più basso dal roller di spostare verso il basso un'ulteriore ottava. Rimuovere il pollice il più alto dal roller di trasferimento e un'ulteriore istituto ottava.

► PIASTRE Pitch Bend

Toccando con il pollice una di queste piastre, si può alzare o abbassare il pitch della nota che si sta suonando. Toccare la piastra superiore (BEND-UP) per alzare il pitch o quella inferiore (BEND-DOWN) per abbassarlo.

NOTA IN MERITO ALLA RISPOSTA DEI TASTI: se i tasti, i roller o le piastre dell'EWI USB non sono molto reattivi, ciò può essere dovuto al fatto che state suonando con mani secche (l'EWI USB funziona servendosi della capacitance corporea). Ci si può servire di una leggera quantità di lozione non unta per le mani per migliorare il contatto tra le mani e i tasti.

MANUTENZIONE E CURA

Abbiamo progettato l'EWI USB in modo che sia robusto e facile da usare, ma una pulizia ed una manutenzione regolari possono garantire che rimanga in buone condizioni e che vi offra le migliori prestazioni quando lo suonate.

- Quando non è in uso, mantenere il BOCCHINO asciutto e pulito. Si può pulire la superficie esterna con alcol disinfettante o sapone delicato e asciugarla con un panno morbido. Oppure, si può rimuovere la vite posta sulla parte superiore del BOCCHINO, estrarlo delicatamente dal corpo dell'EWI USB, e lavare solo il bocchino stesso in lavastoviglie.
- Le parti metalliche dell'EWI USB sono conduttori, quindi vanno mantenute asciutte e pulite per garantire che funzionino correttamente ogniqualvolta vengono utilizzate. Dopo aver suonato, pulire i TASTI NOTA, le PIASTRE PITCH BEND, le PIASTRE DI TERRA e gli OCTAVE ROLLER con un panno morbido e asciutto. (Nel tempo, gli oli naturali presenti sulle mani possono macchiare leggermente queste parti. Ciò è normale e non dovrebbe rappresentare un problema.)
- L'umidità raccolta con il soffiare nello strumento viene drenata dalla VALVOLA DI SFOGO DELL'UMIDITÀ posta sul fondo dell'EWI USB. Prestare attenzione a dove si trova questo capo dell'EWI USB quando si suona e pulirlo periodicamente con un panno morbido e asciutto.

RICALIBRAZIONE TASTI/SENSORE

Se l'EWI USB non risponde come dovrebbe (si verificano note bloccate, problemi di sintonia, tasti che non rispondono, ecc.), procedere come segue:

1. Reggere l'EWI USB *unicamente per l'alloggiamento in plastica*. Non toccare le sue parti metalliche.
2. Tenere premuto il TASTO RESET. Dopo cinque secondi, il LED di STATO lampeggerà rapidamente.
3. Quando il LED di STATO smette di lampeggiare, lasciare il TASTO RESET.

AGGIORNAMENTO DEL FIRMWARE

1. Tenendo premuto il TASTO RESET, collegare l'EWI USB al computer servendosi del cavo USB (in dotazione). Prestare attenzione a non toccare i tasti metallici, piastre e roller mentre si fa questo. Quando il LED di STATO è diventato verde, si può lasciare la pressione dal TASTO RESET.
2. Scaricare eventuali aggiornamenti del firmware disponibili dalla pagina <http://www.akaipro.com>.
3. Il firmware sarà un file MIDI standard con estensione .MID. Riprodurre questo file con il lettore di file MIDI preferito (raccomandiamo l'uso di Windows Media Player o Quicktime). Assicurarsi che l'EWI USB sia selezionato come porta di uscita MIDI dell'applicazione. Durante la riproduzione, inviandolo all'EWI USB il LED di STATO diventerà rosso.
4. Non appena il LED torna nuovamente verde, scollegare l'EWI USB.
5. Ricollegare l'EWI USB. Il LED di STATO si accenderà di rosso.
6. Reggere l'EWI USB *unicamente per l'alloggiamento in plastica*. Non toccare le sue parti metalliche.
7. Tenere premuto il TASTO RESET. Dopo cinque secondi, il LED di STATO lampeggerà rapidamente.
8. Quando il LED di STATO smette di lampeggiare, lasciare il TASTO RESET.

RISOLUZIONE DI PROBLEMI

PROBLEMA	CAUSA	SOLUZIONE
Il LED non si accende quando lo collego.	L'EWI USB non è collegato bene.	Assicurarsi che l'EWI USB sia debitamente collegato alla porta USB del computer e che il computer sia acceso. Se necessario, riavviare il computer e ricollegare l'EWI USB.
Il software non riconosce l'EWI USB.	L'EWI USB è stato collegato dopo che l'applicazione software è stata lanciata.	Riavviare l'applicazione software con l'EWI USB già inserito.
	L'EWI USB è collegato ad un hub USB.	Scollegare l'EWI USB dall'hub USB e collegarlo direttamente al computer. Quindi chiudere e riaprire il software.
Non c'è suono quando suono l'EWI USB.	Il volume di computer, casse o cuffie è troppo basso.	Alzare il volume di computer, casse o cuffie.
	L'applicazione software non è configurata per ricevere i dati MIDI dall'EWI USB.	Assicurarsi che l'EWI USB sia elencato come fonte attiva MIDI nell'applicazione software ("Periferiche audio USB" in Windows XP o "EWI USB" in Mac o Windows Vista). Scorrere lungo il menu Strumenti e selezionare Opzioni per regolare le impostazioni MIDI.
Una nota continua a suonare.	Vi è un problema di conduttività a livello dei TASTI NOTA.	Ricalibrare tasti e sensori (vedi paragrafo RICALIBRAZIONE TASTI/SENSORE di cui sopra). Assicurarsi di non toccare alcun tasto, roller o piastra quando lo premete.
	C'è un problema con il modulo sonoro.	Chiudere e riaprire il software (con l'EWI USB ancora inserito).
I tasti, i roller o le piastre non rispondono.	Vi è un problema di conduttività a livello di tasti, roller o piastre.	Servirsi di una leggera quantità di lozione non unta per le mani per migliorare il contatto tra le mani e i tasti.
L'EWI USB suona fuori tonalità.	I TASTI NOTA non sono stati calibrati bene all'avviamento.	Ricalibrare tasti e sensori (vedi paragrafo RICALIBRAZIONE TASTI/SENSORE di cui sopra). Assicurarsi di non toccare alcun tasto, roller o piastra quando lo premete.

EINFÜHRUNG

Diese Kurzanleitung gibt Ihnen einen Überblick über das EWI USB – einen vielseitigen Blasinstrument, der auf früheren Modellen unserer populären EWI (Electronic Wind Instrument) Serie basiert. Das EWI USB ermöglicht die Kombination des ausdrucksstarken Spiels eines akustischen Instruments mit der klanglichen Flexibilität eines elektronischen Instruments. Das EWI USB lässt sich über USB direkt mit einem Computer verbinden und ist deshalb leicht zu verwenden.

In dieser Anleitung finden Sie Anweisungen zur Inbetriebnahme des EWI USB und Hinweise zum Musizieren mit dem EWI USB. Weitere Informationen zur mitgelieferten Software erhalten Sie in der Anleitung, die Sie auf der Software DVD finden. Viel Spaß!

INHALT DER VERPACKUNG

- EWI USB
- USB Kabel (3m)
- Nackengurt
- Reinigungstuch
- Software DVD
- Kurzanleitung
- Broschüre mit den Sicherheits- und Garantieinformationen

SOFTWAREÜBERBLICK

INSTALLIEREN DER SOFTWARE

1. Legen Sie die Software DVD (im Lieferumfang enthalten) in das CD/DVD Laufwerk Ihres Computers ein. Das Setup Fenster öffnet sich normalerweise automatisch.
2. Klicken Sie doppelt auf **Setup** und folgen Sie den Bildschirmanweisungen, um die Software zu installieren.
3. Wenn die Installation der Software sowie der Samples erfolgreich abgeschlossen wurde, können Sie die Software starten. (Zusätzliche Treiber müssen Sie nicht installieren. Der Computer installiert alle notwendigen Treiber automatisch.)
 - Windows (XP oder Vista): Sie finden das Programm im **Programme** Ordner oder, falls Sie einen Shortcut erstellt haben, auf dem **Desktop** oder in den Programmen, die im **Start Menü** aufgelistet sind.
 - Mac: Sie finden das Programm im Ordner **Programme**.

VERWENDUNG DER SOFTWARE

1. Verbinden Sie das EWI USB mittels eines normalen USB Kabels (im Lieferumfang). Die STATUS LED auf der Rückseite (siehe #8 im Abschnitt ÜBERBLICK) leuchtet.
2. Öffnen Sie die Software. Sie sollten die Software erst dann öffnen, nachdem Sie das EWI USB an den Computer angeschlossen haben, da das Gerät sonst nicht erkannt wird.
3. Wählen Sie im Tools Menü **Preferences**. Wählen Sie im **MIDI Devices** Menü das EWI USB aus:
 - Windows (XP): Markieren Sie "USB Audio Device."
 - Windows (Vista) oder Mac: Markieren Sie "EWI USB."

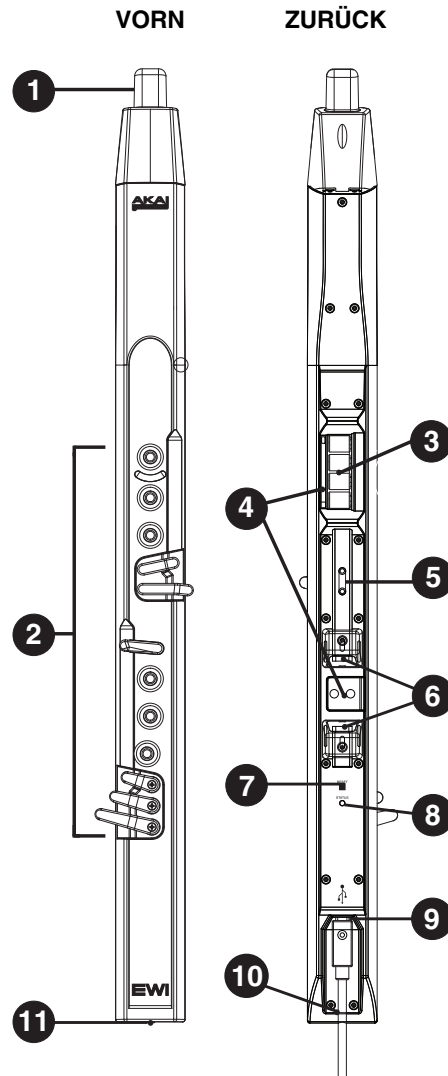
WICHTIG! Beim Anschließen des EWI USB werden automatisch die Tasten, Rollers und Plates rekaliert. Um diesen Vorgang nicht zu stören (wodurch das Gerät in der falschen Stimmung spielen könnte), halten Sie das EWI USB nur oberen Bereich des Plastikgehäuses, wenn Sie es anschließen.

Sollten Sie Probleme beim Anschluss des EWI USB über einen USB Hub haben, empfehlen wir, dass Sie das EWI USB direkt mit dem Computer verbinden.

Beachten Sie die Software Anleitung für weitere Informationen.

ÜBERBLICK

1. **MUNDSTÜCK** – Blasen Sie in das Mundstück (wie bei einem normalen Blasinstrument). (Siehe BEDIENUNG und PFLEGEHINWEISE für weitere Informationen.)
2. **NOTENTASTEN** – Berühren Sie Kombinationen dieser 13 Tasten, während Sie in das Mundstück blasen, um verschiedene Noten zu spielen. Sie können die Position der längeren Tasten anpassen. Dazu lösen Sie die Schrauben der Tasten. (Siehe BEDIENUNG und PFLEGEHINWEISE für weitere Informationen.)
3. **OCTAVE ROLLERS** – Drehen Sie diese Roller, um den Standardbereich, in dem Sie NOTENTASTEN spielen, um bis zu drei Oktaven zu verschieben. Berühren Sie diese Rollers beim Spielen (siehe BEDIENUNG).
4. **GROUND PLATES** – Berühren Sie beim Spielen immer diese Plates. Falls Sie die Daumen beim Spielen von den Plates weg bewegen, reduzieren Sie damit den Funktionsumfang des EWI USB.
5. **NACKENGURT HALTER** – Hängen Sie sich das EWI USB mit dem Nackengurt um den Hals (beiliegend).
6. **PITCH BEND PLATES** – Berühren Sie diese Plates, um die Tonhöhe der Note, die Sie spielen, zu erhöhen oder abzusenken. Berühren Sie die obere (BEND-UP) Plate, um die Tonhöhe anzuheben die untere (BEND-DOWN) Plate, um sie abzusenken. Sie können die Position dieser Plates anpassen, indem Sie die Schrauben lösen und die Plates verschieben. *Ziehen Sie danach die Schrauben nicht zu fest an.*
7. **RESET TASTE** – Drücken Sie diese Taste, falls das EWI USB verstimmt spielt oder wenn Sie hängende Noten bzw. ein Problem mit dem Sound Modul haben. Diese Taste initialisiert die Tonhöhe des EWI USB und sendet zur Software "All Notes Off" und "Reset Controllers" Befehle. Halten Sie die Taste gedrückt, werden die Tasten und Sensoren des EWI USB zurückgesetzt (siehe TASTEN/SENSOR REKALIBRIERUNG für weitere Informationen). Halten Sie das EWI USB nur am Plastikgehäuse fest, wenn Sie diese Taste drücken..



8. **STATUS LED** – Diese LED leuchtet, wenn das EWI USB mit Ihrem Computer verbunden ist (siehe SOFTWARE ÜBERBLICK).
9. **USB ANSCHLUSS** – Verbinden Sie das EWI USB mit einem normalen USB Kabel über diesen USB Anschluss mit einem freien USB Port Ihres Computers (die STATUS LED leuchtet bei erfolgreichem Anschluss). Diese Verbindung wird zum Senden und zum Empfang von MIDI Daten von und zum Computer verwendet. Der USB Port des Computers stellt auch die Spannungsversorgung des EWI USB bereit.

WICHTIG! Beim Anschließen des EWI USB werden automatisch die Tasten, Rollers und Plates rekaliert. Um diesen Vorgang nicht zu stören (wodurch das Gerät in der falschen Stimmung spielen könnte), halten Sie das EWI USB nur oberen Bereich des Plastikgehäuses, wenn Sie es anschließen.

HINWEIS:

- Falls der EWI USB statisch aufgeladen wird, unterbrechen Sie die USB Verbindung und stecken Sie nach einer Weile das USB Kabel wieder am EWI USB an.
- Sollten Sie Probleme beim Anschluss des EWI USB über einen USB Hub haben, empfehlen wir, dass Sie das EWI USB direkt mit dem Computer verbinden.

10. **USB KABELBEFESTIGUNG** – Nachdem Sie die USB Kabelverbindung hergestellt haben, können Sie das Kabel hier befestigen, damit es beim Spielen nicht versehentlich herausgezogen wird.
11. **FLÜSSIGKEITSABLEITUNG** – Flüssigkeit, die beim Spielen in das EWI USB gelangt, wird über diesen Kanal nach außen geführt. Achten Sie auf diese Ableitung, während Sie das EWI USB spielen.

BEDIENUNG

Befestigen Sie zunächst den Nackengurt mit dem NACKENGURT HALTER des EWI USB. Legen Sie den Gurt um Ihren Hals und halten Sie das EWI USB in der gleichen Weise, wie Sie auch ein Saxofon oder eine Klarinette halten würden.

Auf der Rückseite des EWI USB befinden sich zwei GROUND PLATES (eine für jede Hand). Ihre Daumen sollten *immer* beide Plates berühren, um zu gewährleisten, dass das Instrument die optimale Performance liefert. Ihr linker Daumen sollte die obere Plate, nahe der OCTAVE ROLLERS liegen. Ihr rechter Daumen sollte näher am Ende des Instruments, zwischen den PITCH BEND PLATES, liegen.

Nachfolgend finden Sie ein paar grundlegende Informationen zum Spielen des EWI USB:

► Mundstück

Halten Sie das Mundstück leicht zwischen Ihren Lippen mit den Zähnen und atmen Sie so aus, dass Ihr Atem aus beiden Seiten Ihres Mundes austritt. Das EWI USB erkennt die Blasstärke mit dem Breath Sensor und ändert demzufolge die Soundlautstärke und den -charakter. Sie sollten nicht viel Anblasdruck benötigen, um das Instrument spielen zu können.

Vibrato: Im Mundstück befindet sich ein Vibrato Sensor. Indem Sie vorsichtig auf das Mundstück beißen, erzeugen Sie einen Vibrato Effekt. Beißen Sie nicht zu fest zu, da Sie sonst das Mundstück und den innenliegenden Sensor zerstören.

Tonguing: Wenn Sie das Mundstück mit der Zunge anschlagen, leiten Sie Luftschübe in das Mundstück, wodurch der Sound besonders ausdrucksstark wird.

► Note Tasten

Die Note Tasten mit Touch Sensoren lassen den Sound mit einer leichten Berührung entstehen. Das EWI USB kann mit mehreren Fingersätzen, die Sie in der Software einstellen können, umgehen (siehe FINGERSATZÜBERSICHT und die Anleitung auf der Software DVD für weitere Informationen). Sie können die Position der längeren Tasten ändern, indem Sie die Schrauben lösen, durch die diese Tasten in Position gehalten werden.

EIN HINWEIS ZUR REAKTION DER TASTEN:

Sollten die Tasten, Rollers oder Plates des EWI USB nicht richtig reagieren, könnte das an zu trockenen Händen liegen (das EWI USB reagiert auf die Leitfähigkeit des Körpers). Verwenden Sie etwas nicht fettende Handlotion, um die Leitfähigkeit zwischen Ihren Händen und den Tasten zu verbessern.

► Octave Rollers

Legen Sie Ihren linken Daumen auf der Unterseite des EWI USB, zwischen zwei Rollers und über die GROUND PLATE. Um den Oktavbereich des EWI USB zu ändern, schieben Sie Ihren Daumen über die Rollers. Nur die beiden Rollers in der Mitte rollen auch wirklich. Entfernen Sie Ihren Daumen aus dem niedrigsten Rollen zu verlagern sie eine zusätzliche Oktave. Entfernen Sie Ihren Daumen aus der höchsten Rollen zu verlagern sie eine zusätzliche Oktave.

► Pitch Bend Plates

Indem Sie eine dieser Plates mit einem Daumen berühren, können Sie die Tonhöhe einer gerade gespielten Note nach oben oder unten beugen. Die BEND-UP PLATE erhöht die Tonhöhe und die BEND-DOWN PLATE verringert die Tonhöhe.

PFLEGEHINWEISE

Das EWI USB ist zwar auf Langlebigkeit hin entwickelt worden, regelmäßiges Reinigen und Pflegen gewährleistet, dass Sie das Instrument über viele Jahre einsetzen können.

- Falls das EWI USB nicht in Verwendung ist, sollten Sie das MUNDSTÜCK trocken und sauber lagern. Sie können die äußere Oberfläche mit einem desinfizierenden Alkohol oder einer milden Seife reinigen und mit einem weichen Tuch abtrocknen. Sie können auch die Schraube im oberen Mundstückbereich lösen und das MUNDSTÜCK vorsichtig aus dem EWI USB ziehen und *nur das Mundstück* im Geschirrspüler reinigen.
- Die Metallteile des EWI USB sind leitfähig. Achten Sie also darauf, dass sie trocken und sauber sind, damit sie richtig funktionieren. Nach dem Sie gespielt haben, reiben Sie die NOTE TASTEN, PITCH BEND PLATES, GROUND PLATES und OCTAVE ROLLERS mit einem weichen, trockenem Tuch ab. (Über längere Dauer kann sich durch die Benutzung ein leichter Beschlag auf diesen Teilen festsetzen. Das ist normal und sollte kein Problem darstellen.)
- Speichelflüssigkeit, die durch das Spielen in das Instrument gelangt, läuft an der FLÜSSIGKEITSABLEITUNG am unteren Ende des EWI USB aus. Achten Sie auf diese Ableitung, während Sie das EWI USB spielen und reinigen Sie diese regelmäßig mit einem weichen, trockenem Tuch.



TASTEN/SENSOR REKALIBRIERUNG

Sollte das EWI USB sich nicht wie erwartet spielen lassen oder beim Auftreten von hängenden Noten, Stimmproblemen, nicht funktionierenden Tasten, usw., gehen Sie bitte wie folgt vor:

1. Halten Sie das EWI USB nur am Plastikgehäuse fest. Berühren Sie keine der Metallteile.
2. Halten Sie die RESET TASTE gedrückt. Nach fünf Sekunden blinkt die STATUS LED mehrmals.
3. Wenn die STATUS LED aufhört zu blinken, lassen Sie die RESET TASTE los.

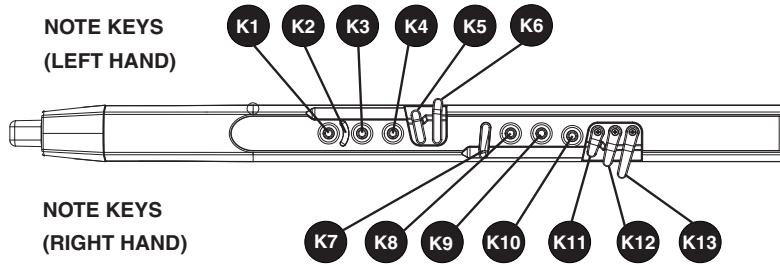
AKTUALISIEREN DER FIRMWARE

1. Schließen Sie das EWI USB mit dem beiliegenden USB Kabel an den Computer an und halten Sie dabei die RESET TASTE gedrückt. Achten Sie darauf, dass Sie dabei keine Metallteile, wie die Metalltasten, Plates und Rollers berühren. Wenn Sie sehen, dass die STATUS LED grün blinkt, können Sie die RESET Taste loslassen.
2. Laden Sie sich die neue Firmware von der Webseite <http://www.akaipro.com> herunter.
3. Die Firmware ist ein Standard MIDI File mit der Dateierdung .MID. Spielen Sie diese Datei mit einer MIDI File Player Software (Windows Media Player oder Quicktime) ab. Achten Sie dabei darauf, dass das EWI USB in der Software als MIDI Out definiert ist. Während des Überspielens der Firmware in das EWI USB leuchtet die STATUS LED rot.
4. Wenn die STATUS LED wieder grün blinkt, können Sie die Verbindung zwischen EWI USB und Computer trennen.
5. Stellen Sie die Verbindung zum EWI USB wieder her. Die STATUS LED leuchtet rot.
6. Halten Sie das EWI USB nur am Plastikgehäuse fest. Berühren Sie keine der Metallteile.
7. Halten Sie den RESET TASTE gedrückt. Nach 5 Sekunden blinkt die STATUS LED wiederholt auf.
8. Wenn das Blinken der STATUS LED stoppt, lassen Sie den RESET TASTE los.

FEHLERHILFE

PROBLEM	URSACHE	LÖSUNG
Die LED leuchtet nicht, wenn ich das Gerät anschließe.	Das EWI USB wurde nicht richtig angeschlossen.	Achten Sie darauf, dass das EWI USB richtig an den USB Port Ihres Computers angeschlossen und dass der Computer eingeschaltet ist. Falls notwendig starten Sie den Computer nicht einmal neu und verbinden Sie dann das EWI USB.
Die Software erkennt das EWI USB nicht.	Das EWI USB wurde nach dem Starten der Software angeschlossen.	Starten Sie die Software mit angeschlossenem EWI USB neu.
	Das EWI USB ist an einem USB Hub angeschlossen.	Trennen Sie die Verbindung zum USB Hub und schließen Sie das EWI USB direkt an den Computer an. Starten Sie danach die Software neu.
Beim Spielen auf dem EWI USB höre ich keinen Sound.	Die Lautstärke Ihres Computers, Ihrer Lautsprecher oder Ihrer Kopfhörer ist zu niedrig.	Erhöhen Sie die Lautstärke Ihres Computers, Ihrer Lautsprecher oder der Kopfhörer.
	Die Software empfängt keine MIDI Daten vom EWI USB.	Achten Sie darauf, dass das EWI USB als aktive MIDI Quelle in der in der Software gelistet ist ("USB Audio Device" für Windows XP oder "EWI USB" für Mac oder Windows Vista). Öffnen Sie das Tools Menü und definieren Sie unter Preferences Ihre MIDI Einstellungen.
Eine Note hört nicht auf zu spielen.	Es liegt ein Problem mit den NOTE TASTEN vor.	Rekalibrieren Sie die Tasten und Sensoren (Siehe TASTEN/SENSOR REKALIBRIERUNG). Achten Sie darauf, dass Sie bei diesem Vorgang keine Tasten, Rollers oder Plates berühren.
	Es liegt ein Problem mit dem Sound Modul vor.	Starten Sie die Software neu (mit angeschlossenem EWI USB).
Die Tasten, Rollers oder Plates reagieren nicht.	Es gibt ein Problem mit dem Leitvermögen mit den Tasten, Rollers oder den Plates.	Verwenden Sie etwas nicht fettende Handlotion, um die Leitfähigkeit zwischen Ihren Händen und den Tasten zu verbessern.
Das EWI USB spielt verstimmt.	Die NOTE Tasten wurden nach dem Einschalten nicht richtig kalibriert.	Rekalibrieren Sie die Tasten und Sensoren (siehe TASTEN/SENSOR REKALIBRIERUNG). Achten Sie darauf, dass Sie bei diesem Vorgang keine Tasten, Rollers oder Plates berühren.

NOTE KEY DIAGRAM



FINGERING CHARTS


















EWI


NOTE	NOTE KEYS (LEFT)						NOTE KEYS (RIGHT)							OCTAVE SHIFT ROLLERS
	K1	K2	K3	K4	K5	K6	K7	K8	K9	K10	K11	K12	K13	
	●	☺	●	●	○	▬	○	●	●	●	○	▬	▬	
	●	☺	●	●	○	▬	○	●	●	●	○	○	▬	
	●	☺	●	●	○	○	○	●	●	●	○	○	▬	
	●	☺	●	●	▬	○	○	●	●	●	○	○	▬	
	●	☺	●	●	○	○	○	●	●	●	○	○	○	
	●	☺	●	●	○	○	○	●	●	●	▬	○	○	
	●	☺	●	●	○	○	○	●	●	○	○	○	○	
	●	☺	●	●	○	○	○	●	○	○	○	○	○	
	●	☺	●	●	○	○	○	○	●	○	○	○	○	
	●	☺	●	●	○	○	○	○	○	○	○	○	○	
	●	☺	●	●	○	○	○	○	○	○	○	○	○	
	●	☺	●	○	○	○	○	○	○	○	○	○	○	
	●	☺	●	○	○	○	▬	○	○	○	○	○	○	
	●	☺	○	○	○	○	○	○	○	○	○	○	○	
	●	☺	○	○	○	○	○	○	○	○	○	○	○	
	○	☺	●	○	○	○	○	○	○	○	○	○	○	
	○	☺	○	○	○	○	○	○	○	○	○	○	○	
	○	☺	○	○	▬	○	○	○	○	○	○	○	○	

SAXOPHONE

NOTE	NOTE KEYS (LEFT)						NOTE KEYS (RIGHT)						OCTAVE SHIFT ROLLERS	
	K1	K2	K3	K4	K5	K6	K7	K8	K9	K10	K11	K12		K13
 B ^b	●	☺	●	●	○	▬	○	●	●	●	○	▬	▬	
 B	●	☺	●	●	○	▬	○	●	●	●	○	○	▬	
 B alt.	●	☺	●	●	○	○	○	●	●	●	○	▬	▬	
 C	●	☺	●	●	○	○	○	●	●	●	○	○	▬	
 C alt.	●	☺	●	●	○	▬	○	●	●	●	○	▬	○	
 C [#]	●	☺	●	●	▬	○	○	●	●	●	○	○	▬	
 C [#] alt.	●	☺	●	●	○	○	○	●	●	●	○	▬	○	
 D	●	☺	●	●	○	○	○	●	●	●	○	○	○	
 D [#]	●	☺	●	●	○	○	○	●	●	●	▬	○	○	
 E	●	☺	●	●	○	○	○	●	●	○	○	○	○	
 F	●	☺	●	●	○	○	○	●	○	○	○	○	○	
 F [#]	●	☺	●	●	○	○	○	○	●	○	○	○	○	
 G	●	☺	●	●	○	○	○	○	○	○	○	○	○	
 G [#]	●	☺	●	●	▬	○	○	○	○	○	○	○	○	
 A	●	☺	●	○	○	○	○	○	○	○	○	○	○	
 B ^b	●	☺	●	○	○	▬	○	○	○	○	○	○	○	
 B ^b alt.	●	☺	○	○	○	○	▬	●	○	○	○	○	○	
 B ^b alt.	●	☺	○	○	○	○	○	○	○	○	○	○	○	
 B	●	☺	○	○	○	○	○	○	○	○	○	○	○	
 C	○	☺	●	○	○	○	○	○	○	○	○	○	○	
 C [#]	○	☺	○	○	○	○	○	○	○	○	○	○	○	
 D	○	☺	○	○	○	▬	○	○	○	○	○	○	○	

FLUTE

NOTE	NOTE KEYS (LEFT)						NOTE KEYS (RIGHT)						OCTAVE SHIFT ROLLERS
	K1	K2	K3	K4	K5	K6	K7	K8	K9	K10	K11	K12	
 C	●	☺	●	●	☺	☺	☺	●	●	●	☺	☺	▬
 C [#]	●	☺	●	●	☺	☺	☺	●	●	●	☺	▬	☺
 D	●	☺	●	●	☺	☺	☺	●	●	●	☺	☺	☺
 D [#]	●	☺	●	●	☺	☺	☺	●	●	●	▬	☺	☺
 E	●	☺	●	●	☺	☺	☺	●	●	○	☺	☺	☺
 F	●	☺	●	●	☺	☺	☺	●	○	○	☺	☺	☺
 F [#]	●	☺	●	●	☺	☺	☺	○	○	●	☺	☺	☺
 F [#] _{alt.}	●	☺	●	●	☺	☺	☺	○	●	○	☺	☺	☺
 G	●	☺	●	●	☺	☺	☺	○	○	○	☺	☺	☺
 G [#]	●	☺	●	●	▬	☺	☺	○	○	○	☺	☺	☺
 A	●	☺	●	○	☺	☺	☺	○	○	○	☺	☺	☺
 A _{alt.}	●	☺	○	○	▬	☺	☺	●	○	○	☺	☺	☺
 B ^b	●	☺	○	○	☺	☺	☺	●	○	○	☺	☺	☺
 B ^b _{alt.}	●	☺	○	○	☺	☺	▬	○	○	○	☺	☺	☺
 B	●	☺	○	○	☺	☺	☺	○	○	○	☺	☺	☺
 C	○	☺	●	○	☺	☺	☺	○	○	○	☺	☺	☺
 C [#]	○	☺	○	○	☺	☺	☺	○	○	○	☺	☺	☺



UP 0 DOWN

If any 1 or more of the K7, K8, or K9 keys are pressed, the note should stay B^b.

This is the only non-flute fingering that flute players will need to get used to.

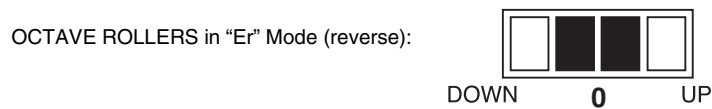
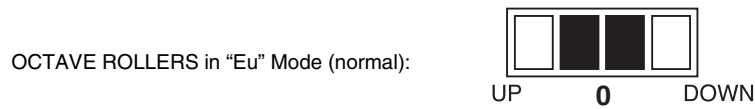
OBOE

NOTE	NOTE KEYS (LEFT)						NOTE KEYS (RIGHT)						OCTAVE SHIFT ROLLERS	
	K1	K2	K3	K4	K5	K6	K7	K8	K9	K10	K11	K12		K13
	●	☺	●	●	○	▬	○	●	●	●	▬	○	○	
	●	☺	●	●	▬	○	○	●	●	●	▬	○	○	
	●	☺	●	●	○	○	○	●	●	●	▬	○	○	
	●	☺	●	●	○	○	○	●	●	●	○	▬	○	
	●	☺	●	●	○	○	○	●	●	●	○	○	○	
	●	☺	●	●	○	○	○	●	●	●	○	○	▬	
	●	☺	●	●	▬	○	○	●	●	●	○	○	○	
	●	☺	●	●	○	○	○	●	●	○	○	○	○	
	●	☺	●	●	○	○	▬	●	●	○	○	○	○	
	●	☺	●	●	○	○	○	●	○	●	○	○	○	
	●	☺	●	●	▬	○	○	●	●	○	○	○	○	
	●	☺	●	●	○	○	○	●	○	○	○	○	○	
	●	☺	●	●	○	○	○	○	○	○	○	○	○	
	●	☺	●	●	▬	○	○	○	○	○	○	○	○	
	●	☺	●	●	○	▬	○	○	○	○	○	○	○	
	●	☺	●	○	○	○	○	○	○	○	○	○	○	
	●	☺	●	○	○	○	○	●	○	○	○	○	○	
	●	☺	○	○	○	○	○	○	○	○	○	○	○	
	●	☺	○	○	○	○	○	●	○	○	○	○	○	
	●	☺	●	●	○	○	○	●	●	●	○	▬	○	
	●	☺	○	○	▬	○	○	●	○	○	○	○	○	
	●	☺	●	●	○	○	○	●	●	●	○	○	○	
	●	☺	●	●	○	○	○	●	●	●	○	○	▬	
	●	☺	●	●	▬	○	○	●	●	●	○	○	○	

EVI

NOTE	NOTE KEYS (LEFT)						NOTE KEYS (RIGHT)							OCTAVE SHIFT ROLLERS
	K1	K2	K3	K4	K5	K6	K7	K8	K9	K10	K11	K12	K13	
C#	●	☺	●	●	⬇	⬇	⬇	●	●	●	⬇	⬇	⬇	
D	●	☺	●	●	⬇	⬇	⬇	●	○	●	⬇	⬇	⬇	
D#	●	☺	●	●	⬇	⬇	⬇	○	●	●	⬇	⬇	⬇	
E	●	☺	●	●	⬇	⬇	⬇	●	●	○	⬇	⬇	⬇	
F	●	☺	●	●	⬇	⬇	⬇	●	○	○	⬇	⬇	⬇	
F#	●	☺	●	●	⬇	⬇	⬇	○	●	○	⬇	⬇	⬇	
G	●	☺	●	●	⬇	⬇	⬇	○	○	○	⬇	⬇	⬇	
G#	○	☺	●	●	⬇	⬇	⬇	○	●	●	⬇	⬇	⬇	
A	○	☺	●	●	⬇	⬇	⬇	●	●	○	⬇	⬇	⬇	
A#	○	☺	●	●	⬇	⬇	⬇	●	○	○	⬇	⬇	⬇	
B	○	☺	●	●	⬇	⬇	⬇	○	●	○	⬇	⬇	⬇	
C	○	☺	●	●	⬇	⬇	⬇	○	○	○	⬇	⬇	⬇	

Note: The EWI USB supports two different EVI configurations, which affects the direction of the OCTAVE ROLLERS:



MIDI IMPLEMENTATION CHART

Manufacturer: AKAI PROFESSIONAL		Model: EWI USB		Version: 1.00		Date: 07.01.2008	
		Transmit/Export	Recognize/Import	Remarks			
1. Basic Information							
MIDI channels		1-16	1-16				
Note numbers		047-075	N				
Program change		N	N				
Bank Select response? (Yes/No) If yes, list banks utilized in remarks column		N	N				
Modes supported: Mode 1: Omni-On, Poly (Yes/No) Mode 2: Omni-On, Mono (Yes/No) Mode 3: Omni-Off, Poly (Yes/No) Mode 4: Omni-Off, Mono (Yes/No) Multi Mode (Yes/No)		N	N				
Note-On Velocity (Yes/No)		Y	N				
Note-Off Velocity (Yes/No)		N	N				
Channel Aftertouch (Yes/No)		Y	N				
Poly (Key) Aftertouch (Yes/No)		Y	N				
Pitch Bend (Yes/No)		Y	N				
Active Sensing (Yes/No)		N	N				
System Reset (Yes/No)		Y	Y				
Tune Request (Yes/No)		N	N				
Universal System Exclusive: Sample Dump Standard (Yes/No) Device Inquiry (Yes/No) File Dump (Yes/No) MIDI Tuning (Yes/No) Master Volume (Yes/No) Master Balance (Yes/No) Notation Information (Yes/No) Turn GM1 System On (Yes/No) Turn GM2 System On (Yes/No) Turn GM System Off (Yes/No) DLS-1 (Yes/No) File Reference (Yes/No) Controller Destination (Yes/No) Key-based Instrument Ctrl (Yes/No) Master Fine/Coarse Tune (Yes/No) Other Universal System Exclusive		Y	Y	Used for software configuration			
Manufacturer or Non-Commercial System Exclusive		Y	Y	Used for software configuration			
NRPNs (Yes/No)		Y	Y	Used for software configuration			
RPN 00 (Pitch Bend Sensitivity) (Yes/No) RPN 01 (Channel Fine Tune) (Yes/No) RPN 02 (Channel Coarse Tune) (Yes/No) RPN 03 (Tuning Program Select) (Yes/No) RPN 04 (Tuning Bank Select) (Yes/No) RPN 05 (Modulation Depth Range) (Yes/No)		N	N				
2. MIDI Timing and Synchronization							
MIDI Clock (Yes/No)		N	N				
Song Position Pointer (Yes/No)		N	N				
Song Select (Yes/No)		N	N				
Start (Yes/No) Continue (Yes/No) Stop (Yes/No)		N	N				
MIDI Time Code (Yes/No)		N	N				
MIDI Machine Control (Yes/No)		N	N				
MIDI Show Control (Yes/No) If yes, MSC Level supported		N	N				
3. Extensions Compatibility							
General MIDI compatible? (Level(s)/No) Is GM default power-up mode? (Level/No)		N	N				
DLS compatible? (Levels(s)/No) (DLS File Type(s)/No)		N	N				
Standard MIDI Files (Type(s)/No)		N	N				
XMF Files (Type(s)/No)		N	N				
SP-MIDI compatible? (Yes/No)		N	N				

TECHNICAL SPECIFICATIONS

Dimensions (W x D x H)	23 1/8" x 2 3/4" x 2 3/4"
Weight	1.3 lbs
Power	~100mA, 5V via USB
MIDI output channels over USB	1
Note keys	13
Octave rollers	2 mobile, 2 fixed; 5-octave range
Plates	2 ground, 2 bend
Terminals	Slave connector x 1 (MIDI over USB)
Accessories	USB cable (3m) Neckstrap Cleaning cloth Software DVD Quickstart Manual

CONTACT INFORMATION

Please visit the Akai Professional website (<http://www.akaipro.com>) regularly for additional information, news, and updates on the EWI USB or its software or firmware.

For additional technical support:

E-mail: support@akaipro.com

Phone: 401.658.4032 (U.S.)

AKAI
professional

www.akaipro.com